

GZ10 track spotlights

ROBUS[®]

QUALITY PRODUCTS BY LED GROUP

RS806GZ,RS806GZ3
R888GZ ,R888GZ3

Please read instructions before commencing installation and retain for future reference



Specification:

Protection against electric shock: Class 1
Track must be earthed!

Lamp type: 240V GU10 or GZ10 max. 50W
Dimensions: Overall depth 150mm
Temperature range: 5°C < ta < 40°C
Supply: 230/240V (from mains track)

Suitable for mounting on normally flammable surface

Minimum distance from illuminated object is 0.5 metre

Complies with EN60598 (BS4533)

Installation:

!Electrical products can cause death, injury or damage to property. If in any doubt about the installation or use of this product, consult a competent electrician.

- 1 Ensure mains supply is switched off
- 2 Fix track with countersunk screws to mounting
- 3 Fit live end adaptor (RLE-01/04) and dead end to track end, wiring live end to a fused supply
- 4 To attach luminaires to the track, offer it up at 90° to the track and rotate until parallel to the track and the lock tab engages. Note: The track is not symmetric. There are two conductors on one side, and one on the other. Check alignment of luminaire before rotating into position
- 5 Lamp installation and replacement:

!Ensure mains supply is off. !When operating luminaire is too hot to touch. Switch off and allow to cool before undertaking any maintenance work. Remove the front ring (if need). Insert lamp and replace ring

Information for the Product user

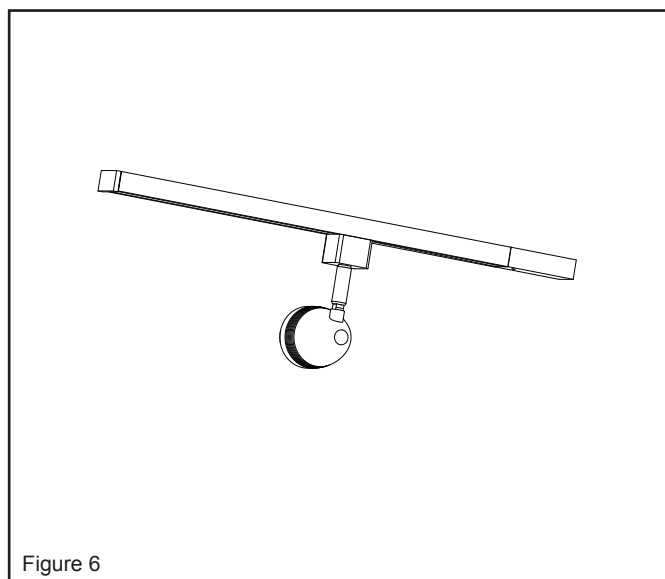
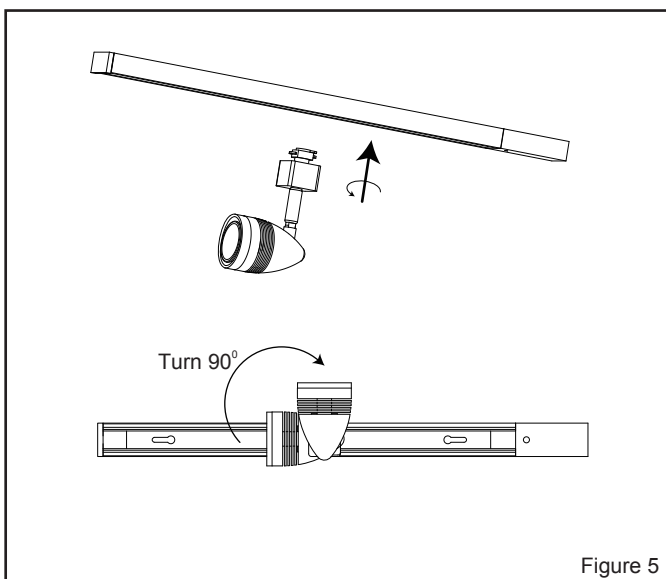
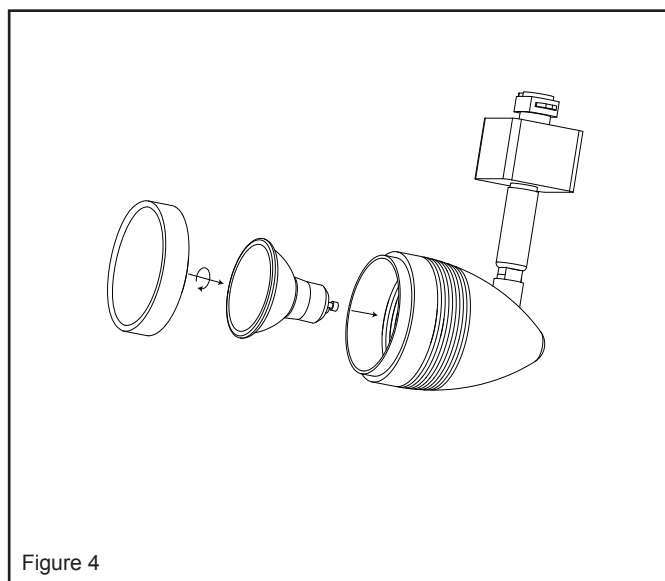
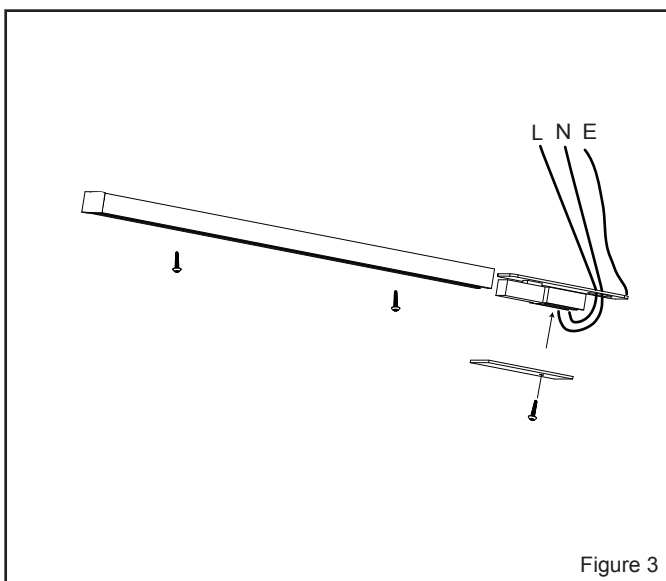
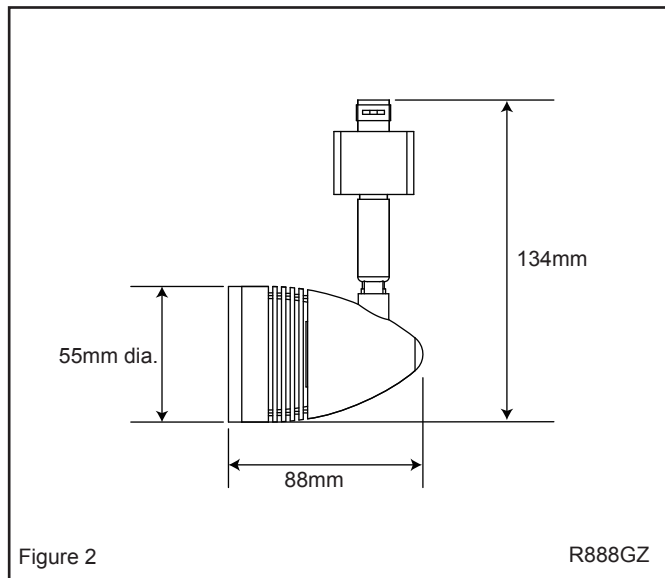
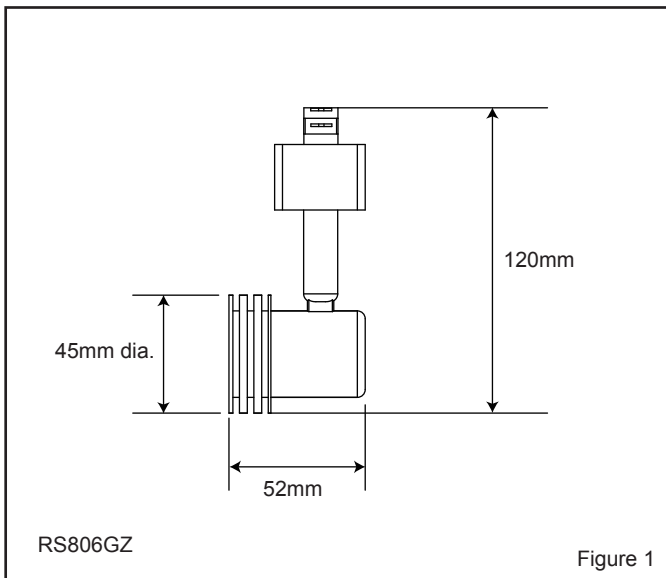
1. Please note the requirement to dispose of Waste Electrical & Electronic Equipment separately from household waste (WEEE marked with crossed out wheelie bin symbol).
2. Please consider your role in contributing to re-use and recycling by returning this product at end of life to a collection centre for waste electrical equipment or a Civic Amenity site, or to a retail outlet from which you are purchasing a replacement.
3. This equipment may contain substances that are hazardous to health and the environment if disposed of carelessly. It is important that it is separated from normal household waste and recycled in the WEEE chain
4. The "crossed out wheelie bin symbol" on a product indicates this equipment must not be disposed of in normal household waste, but should be disposed of according to local WEEE regulations

The Installation must be carried out by an electrician

LED Group
Western Retail Park
Nangor Road
Dublin 12
Ireland

Tel: +353 1 7099000
Fax: +353 1 7099060
Email: info@led.ie
Website: www.led.ie





The Installation must be carried out by an electrician

LED Group
 Western Retail Park
 Nangor Road
 Dublin 12
 Ireland

Tel: +353 1 7099000
 Fax: +353 1 7099060
 Email: info@led.ie
 Website: www.led.ie

